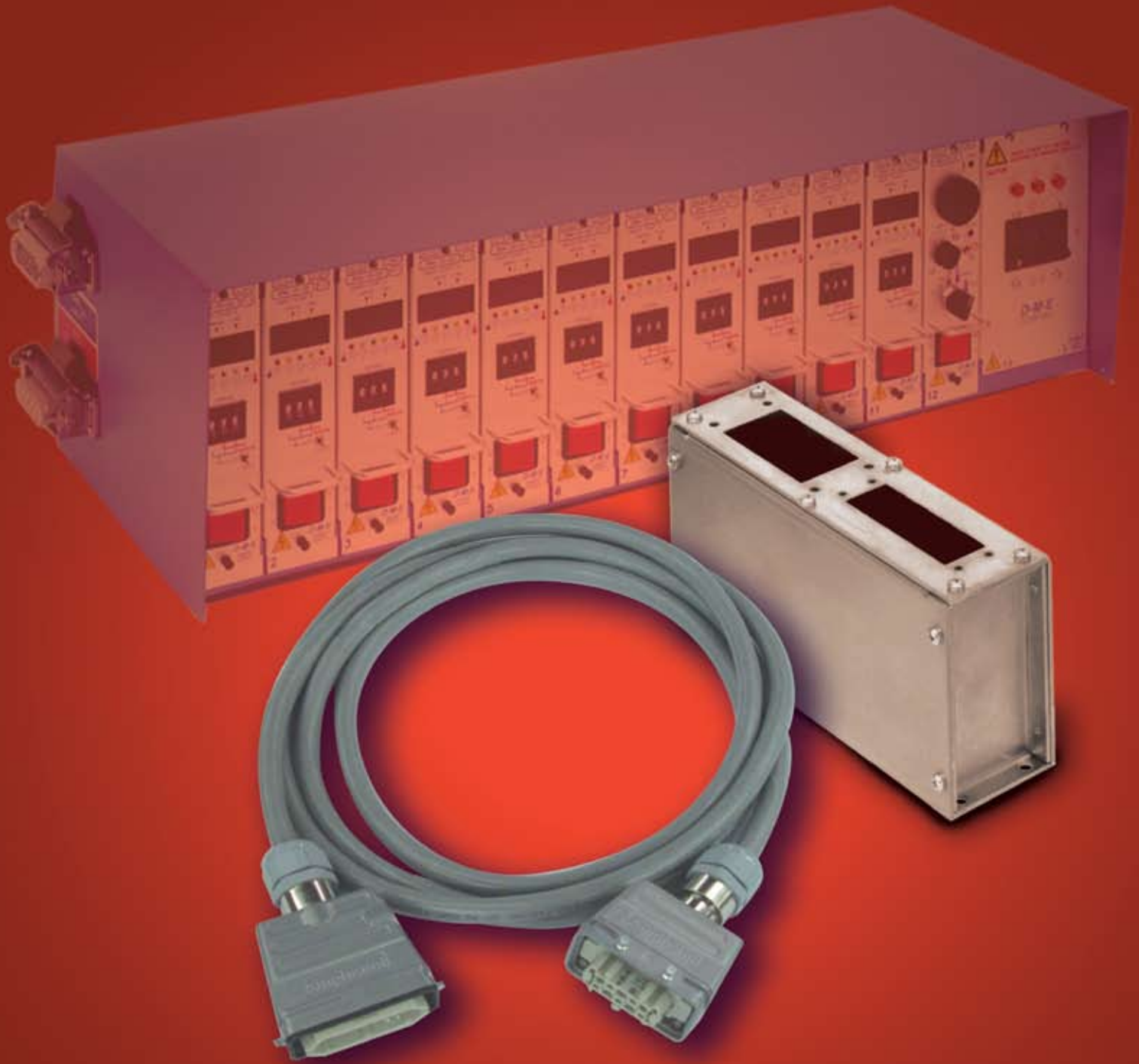


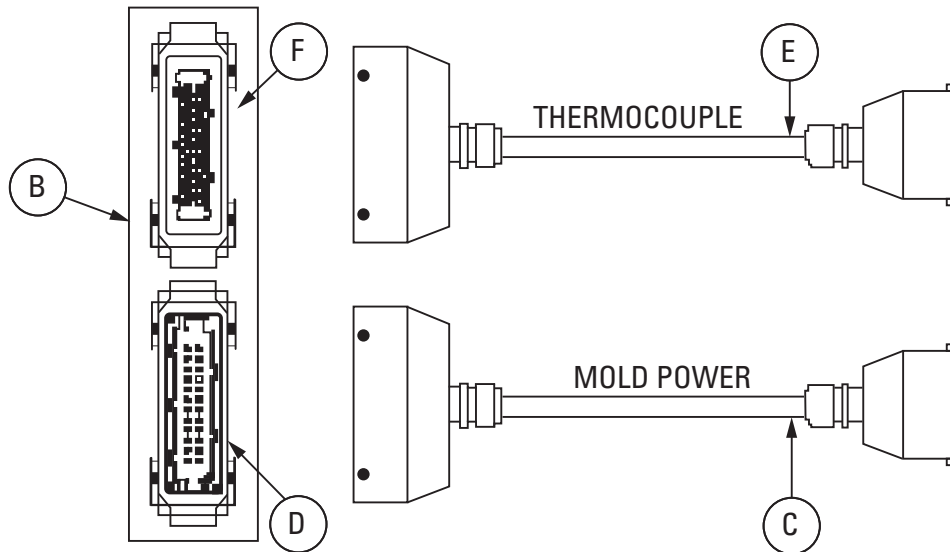
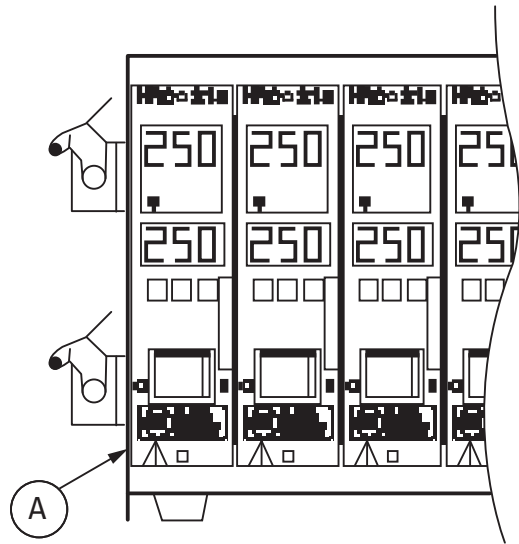
D-M-E Smart Series® Alternate Connection Components

Terminal mounting boxes,
and mold power cables
and connectors



Every step of the way

D-M-E Standard Alternate Cable Configuration HUSKY COMPATIBLE CONTROL SYSTEM COMPONENTS



A	SSM or DSS-1512	Temperature Control Modules
---	-----------------	-----------------------------

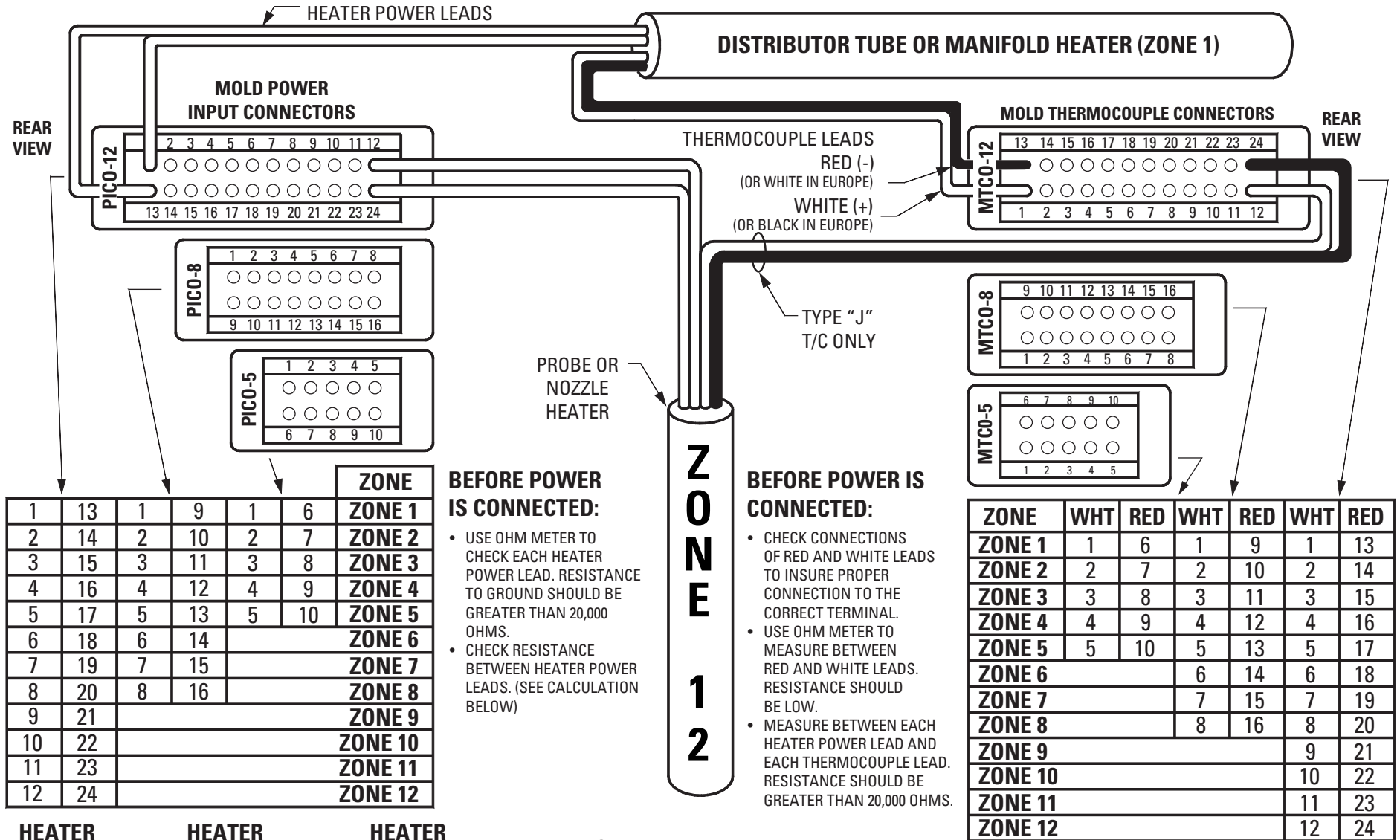
B	PTCO-5-TB	5-Zone Terminal Mounting Box
C	MPCO-5-C-10 or 20-G	5-Zone Mold Power Cable; 10' or 20' O.A.L.
D	PICO-5	5-Zone Mold Power Input Connector
E	TCO-5-C-10 or 20-G	5-Zone Thermocouple Cable; 10' or 20' O.A.L.
F	MTCO-5	5-Zone Mold Thermocouple Connector

B	PTCO-8-TB	8-Zone Terminal Mounting Box
C	MPCO-8-C-10 or 20-G	8-Zone Mold Power Cable; 10' or 20' O.A.L.
D	PICO-8	8-Zone Mold Power Input Connector
E	TCO-8-C-10 or 20-G	8-Zone Thermocouple Cable; 10' or 20' O.A.L.
F	MTCO-8	8-Zone Mold Thermocouple Connector

B	PTCO-12-TB	12-Zone Terminal Mounting Box
C	MPCO-12-C-10 or 20-G	12-Zone Mold Power Cable; 10' or 20' O.A.L.
D	PICO-12	12-Zone Mold Power Input Connector
E	TCO-12-C-10 or 20-G	12-Zone Thermocouple Cable; 10' or 20' O.A.L.
F	MTCO-12	12-Zone Mold Thermocouple Connector

Husky is a trademark of
Husky Injection Molding Systems

D-M-E Standard Alternate Connector Configuration TYPICAL MOLD CONNECTOR WIRING DIAGRAM (REVISION "A")



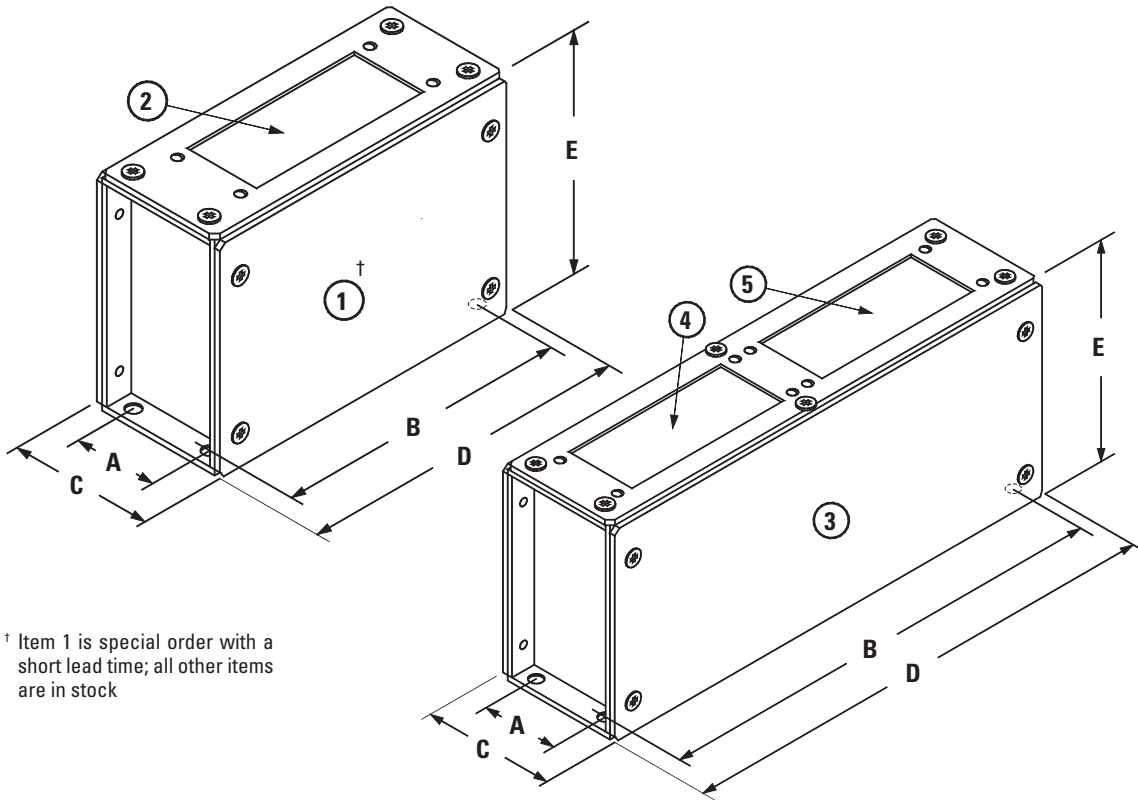
HEATER VOLTS MARKED ON HEATER × **HEATER VOLTS MARKED ON HEATER** ÷ **HEATER WATTS MARKED ON HEATER** ≈ **MEASURED RESISTANCE OHMS**

EXAMPLE: (240 VOLTS) × (240 VOLTS) ÷ 820 WATTS ≈ 70 OHMS

NOTE: ALL GROUNDS MUST BE CONNECTED TO MOLD TO INSURE OPERATOR SAFETY.

NOTE: SOME EUROPEAN "J"-TYPE T/C ARE COLOR-CODED BLACK & WHITE. IN THESE APPLICATIONS, THE BLACK CONDUCTOR IS POSITIVE (+) AND CORRESPONDS TO WHITE. THE WHITE CONDUCTOR IS NEGATIVE (-) AND CORRESPONDS TO RED.

European Configuration Terminal Box Detail & Mold Connectors



CALLOUT NUMBER	ITEM NUMBER	CALLOUT NUMBER	MOLD CONNECTOR	DIMENSIONS									
				A		B		C		D		E	
1	PTO5TB	2	PICO5	1.50"	38mm	4.25"	108mm	2.44"	62mm	4.88"	124mm	4.10"	104mm
1	PTO5TB	2	MTCO5	1.50"	38mm	4.25"	108mm	2.44"	62mm	4.88"	124mm	4.10"	104mm
1	PTO8TB	2	PICO8	1.50"	38mm	4.99"	127mm	2.44"	62mm	5.61"	142mm	4.10"	104mm
1	PTO8TB	2	MTCO8	1.50"	38mm	4.99"	127mm	2.44"	62mm	5.61"	142mm	4.10"	104mm
1	PTO12TB	2	PICO12	1.50"	38mm	6.05"	154mm	2.44"	62mm	6.68"	170mm	4.10"	104mm
1	PTO12TB	2	MTCO12	1.50"	38mm	6.05"	154mm	2.44"	62mm	6.68"	170mm	4.10"	104mm
3	PTCO5TB	4	PICO5	1.50"	38mm	8.84"	225mm	2.44"	62mm	9.47"	241mm	4.10"	104mm
		5	MTCO5	1.50"	38mm	8.84"	225mm	2.44"	62mm	9.47"	241mm	4.10"	104mm
3	PTCO8TB	4	PICO8	1.50"	38mm	9.91"	252mm	2.44"	62mm	10.53"	267mm	4.10"	104mm
		5	MTCO8	1.50"	38mm	9.91"	252mm	2.44"	62mm	10.53"	267mm	4.10"	104mm
3	PTCO12TB	4	PICO12	1.50"	38mm	12.17"	309mm	2.44"	62mm	12.79"	325mm	4.10"	104mm
		5	MTCO12	1.50"	38mm	12.17"	309mm	2.44"	62mm	12.79"	325mm	4.10"	104mm

NOTE: ALLOW AN ADDITIONAL 0.25" (10mm) IN HEIGHT AND WIDTH FOR SCREW HEAD CLEARANCE



a Milacron Company

World Headquarters

D-M-E Company

29111 Stephenson Highway
Madison Heights, MI 48071
800-626-6653 toll-free tel
248-398-6000 tel
888-808-4363 toll-free fax
www.dme.net web
info@dme.net e-mail

D-M-E of Canada, Ltd.

6210 Northwest Drive
Mississauga, Ontario
Canada L4V 1J6
800-387-6600 toll-free tel
905-677-6370 tel
800-461-9965 toll-free fax
dme_canada@dme.net e-mail

D-M-E Europe

D-M-E Belgium C.V.B.A.
Industriepark Noord
B-2800 Mechelen
Belgium
32-15-215011 tel
32-15-218235 fax
sales@dmeeu.com e-mail