

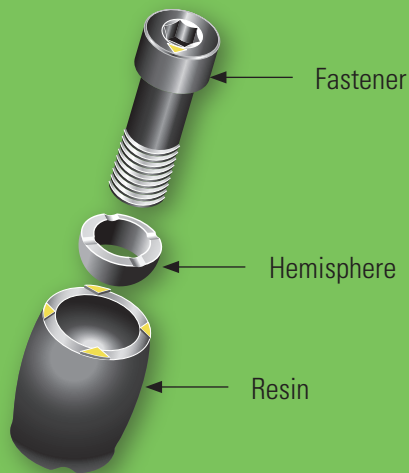
# D-M-E Standard D-M-E Friction Pullers

## NEW PRODUCT BULLETIN



### Advantages and Benefits of D-M-E Friction Pullers:

- Reference arrows enable easy adjustment
- Self-locating even if plates shift due to thermal expansion or machining variances
- Internal self-venting eliminates the need for additional machining
- Fastener includes Nylok® patch for secure installation

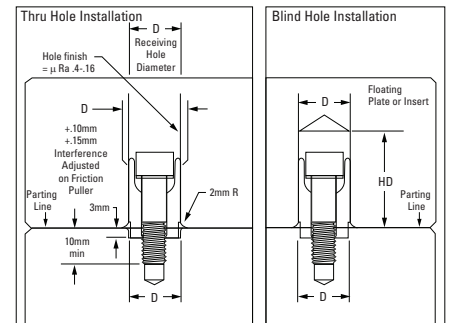
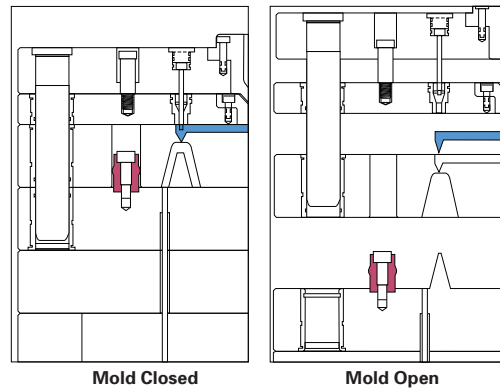
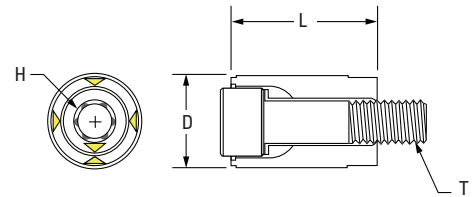


D-M-E Friction Pullers for optimal parting line control initiates movement by using friction at a specified setting to release the mold plate when the travel limit is achieved.

Item Number	D	L	T	H Hex	Hole Depth	Maximum Force (Each)
FP10D	10	17	M5-.8	3	20	32.5 kg (72 lbs)
FP13D	13	20	M6-1	4	23	62.5 kg (138 lbs)
FP16D	16	25	M8-1.25	5	30	150.0 kg (330 lbs)
FP20D	20	28	M10-1.5	6	32	212.5 kg (468 lbs)

**Note:** Dimensions are in mm.

Available in four sizes (10mm, 13mm, 16mm and 20mm), Friction Pullers may be used to consistently draw floating plates and inserts.



Recommended interference fit for Friction Pullers is .1 to .15mm larger than the receiving hole. To adjust, rotate the screw clockwise and measure bulge to achieve proper fit. Adjust further if necessary with ¼ turn increments, lining up the reference arrows on the fastener to the resin.

### Technical Data:

- Material - Nylon 6 Resin with 8620 fastener
- Maximum operating temperature - 248°F (120°C)
- Before removing mold from the press for maintenance, rotate Friction Puller screw counter-clockwise with a ¾ turn to enable easy plate separation

## Patents Pending



**World Headquarters  
D-M-E Company**  
29111 Stephenson Highway  
Madison Heights, MI 48071  
**800-626-6653 toll-free tel**  
**248-398-6000 tel**  
**888-808-4363 toll-free fax**  
**www.dme.net web**  
**info@dme.net e-mail**

**D-M-E of Canada, Ltd.**  
6210 Northwest Drive  
Mississauga, Ontario  
Canada L4V 1J6  
**800-387-6600 toll-free tel**  
**905-677-6370 tel**  
**800-461-9965 toll-free fax**  
**dme\_canada@dme.net e-mail**

**D-M-E Europe**  
D-M-E Belgium C.V.B.A.  
Industriepark Noord  
B-2800 Mechelen  
Belgium  
**32-15-215011 tel**  
**32-15-218235 fax**  
**sales@dmeeu.com e-mail**